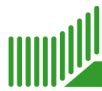
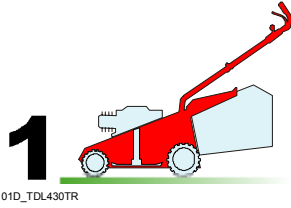


TDL 430 TR - TDL 480 TR

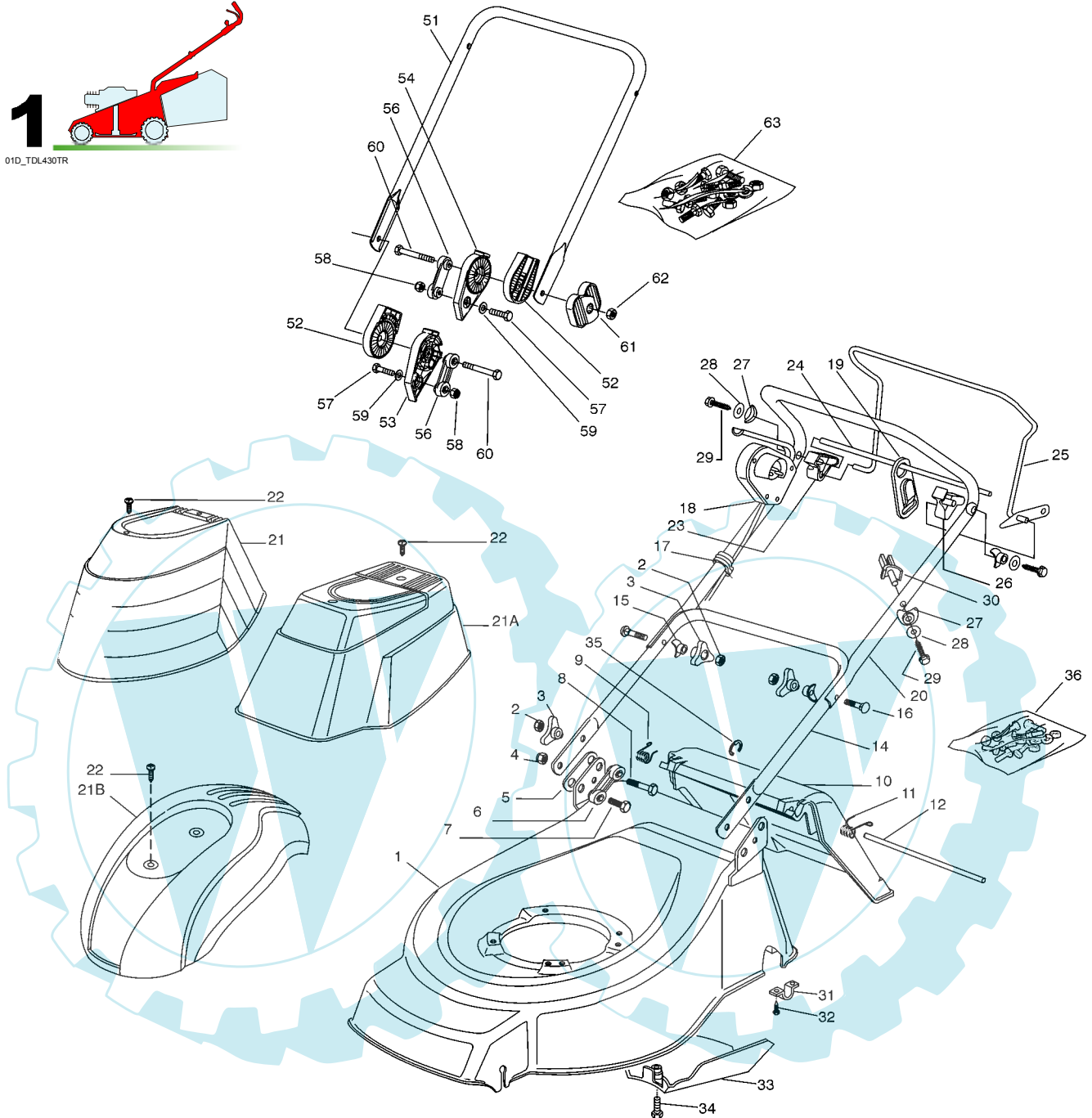
74



GLOBAL GARDEN PRODUCTS



01D_TDL430TR



Pos.	Code	Q.ty	Descrizione	Description	Description	Beschreibung	Remarks
1	81001646/0	1	CHASSIS GIALLO	DECK YELLOW	CHÂSSIS JAUNE	GEHÄUSE GELB	(TDL 430 TR)
-	81001645/0	1	CHASSIS ROSSO	DECK RED	CHÂSSIS ROUGE	GEHÄUSE ROT	(TDL 430 TR)
-	81001647/0	1	CHASSIS VERDE	DECK GREEN	CHÂSSIS VERT	GEHÄUSE GRÜN	(TDL 430 TR)
-	81002444/0	1	CHASSIS GIALLO	DECK YELLOW	CHÂSSIS JAUNE	GEHÄUSE GELB	(TDL 480 TR)
-	81002430/0	1	CHASSIS ROSSO	DECK RED	CHÂSSIS ROUGE	GEHÄUSE ROT	(TDL 480 TR)
-	81002445/0	1	CHASSIS VERDE	DECK GREEN	CHÂSSIS VERT	GEHÄUSE GRÜN	(TDL 480 TR)
2	12293200/0	4	DADO	NUT	ECROU	MUTTER	
3	22399900/0	4	MANOPOLINA	KNOB	POIGNÉE	GRIFF	
4	12155000/0	2	DADO	NUT	ECROU	MUTTER	
5	22551574/0	2	PIASTRINA ESTERNA	PLATE, OUTSIDE	PLAQUETTE EXTERNE	PLATTE, ÄUßERE	
6	22551575/0	2	PIASTRINA INTERNA	PLATE, INSIDE	PLAQUETTE INTERNE	PLATTE, INNERE	
7	12793300/0	2	VITE	SCREW	VIS	SCHRAUBE	
8	12691115/0	2	VITE	SCREW	VIS	SCHRAUBE	
9	22450410/1	1	MOLLA DX	R SPRING	RESSORT D	RECHTE FEDER	

TDL 430 TR - TDL 480 TR



74

GLOBAL GARDEN PRODUCTS

Pos.	Code	Q.ty	Descrizione	Description	Description	Beshreibung	Remarks
10	22600046/2	1	PARASASSI	STONE-GUARD	PARE-PIERRES	PRALLBLECH	
11	22450420/1	1	MOLLA SX	L SPRING	RESSORT G	LINKE FEDER	
12	22517906/1	1	PERNO	PIN	PIVOT	BOLZEN	
14	81006512/0	1	MANICO INFERIORE	HANDLE, LOWER PART	MANCHERON INFERIEURE	HOLM, UNTERTEIL	
15	22680006/1	2	ROSETTA	WASHER	RONDELLE	SCHEIBE	
16	12819201/0	2	VITE	SCREW	VIS	SCHRAUBE	
17	22192000/1	3	FASCETTA ANCORAGGIO	ANCHOR CLAMP	COLLIER ANCRAGE	BOWDENZUGHALTER	
18	-	1	SALVAMOTORE	DEAD HAND SWITCH	INT. MAIN MORTE	TOT MANSCHALTER	(SEE ENCLOSURE 2)
19	22195101/4	1	FERMACAVO	FAIRLEAD	FIXATION CABLE	KABELBEFESTIGUNG	
20	81006603/0	1	MANICO SUPERIORE	HANDLE, UPPER PART	MANCHERON SUPERIEURE	HOLM, OBERTEIL	
21	22055033/1	1	CAPOTTINA	COVER	CAPOT	HAUBE	
21A	22055045/1	1	CAPOTTINA	COVER	CAPOT	HAUBE	
21B	22055065/0	1	CAPOTTINA	COVER	CAPOT	HAUBE	
22	12728680/0	2	VITE	SCREW	VIS	SCHRAUBE	
23	22806518/1	1	SUPPORTO DX	SUPPORT, R	SUPPORT D	HALTER, RECHTER	
24	22020320/0	1	AGGANCIO FERMACAVO	FAIRLEAD BEARING	SUPPORT SERRECABLE	KABELHALTER	
25	81001245/1	1	LEVA TRAZIONE	DRIVING LEVER	LEVIER TRACTION	ANTRIEBHABEL	
26	22806519/1	1	SUPPORTO SX	SUPPORT, L	SUPPORT G	HALTER, LINKER	
27	22680006/1	3	ROSETTA	WASHER	RONDELLE	SCHEIBE	
28	12523040/0	3	ROSETTA	WASHER	RONDELLE	SCHEIBE	
29	12735103/0	3	VITE	SCREW	VIS	SCHRAUBE	
30	22806520/0	1	SUPPORTO REGISTRO	SUPPORT, ADJUSTER	SUPPORT ECROU REG.	HALTER, REGLER	
31	22545152/0	2	PIASTRINA	PLATE	PLAQUETTE	PLÄTTCHEN	
32	12731350/0	4	VITE	SCREW	VIS	SCHRAUBE	
33	22060191/1	1	CARTER CINGHIA	PROTECTION, BELT	PROTECTION COURROIRE	SCHUTZ, RIEMEN	(TDL 430 TR)
-	22060192/0	1	CARTER CINGHIA	PROTECTION, BELT	PROTECTION COURROIRE	SCHUTZ, RIEMEN	(TDL 480 TR)
34	12727791/0	1	VITE	SCREW	VIS	SCHRAUBE	
35	12000930/0	1	ANELLO ELASTICO	SNAP RING	ANNEAU RESSORT	SPRENGRING	
36	81008596/1	1	DOTAZIONE VITERIA	OUTFIT, SCREWS	DOTATION VISSERIE	SATZ, SCHRAUBEN	

VARIANTE REGOLAZIONE MANICO - HANDLE ADJUSTMENT MODIFICATION - MODIFICATION REGLAGE POIGNEE - ÄNDERUNG GRIFFENSTEEL

Pos.	Code	Q.ty	Descrizione	Description	Description	Beshreibung	Remarks
51	81006532/0	1	MANICO INFERIORE	HANDLE, LOWER PART	MANCHERON INFERIEURE	HOLM, UNTERTEIL	
52	22785081/1	2	SUPPORTO ESTERNO	SUPPORT, EXTERNAL	SUPPORT EXTERNE	HALTER, AUßERE	
53	22785082/0	1	SUPPORTO INTERNO DX	SUPPORT, R INTERNAL	SUPPORT INTERNE D	HALTER, INNERE R	
54	22785083/1	1	SUPPORTO INTERNO SX	SUPPORT, L INTERNAL	SUPPORT INTERNE G	HALTER, INNERE L	
56	22551575/0	2	PIASTRINA INTERNA	PLATE, INSIDE	PLAQUETTE INTERNE	PLATTE, INNERE	
57	12793701/0	2	VITE	SCREW	VIS	SCHRAUBE	
58	12155000/0	2	DADO	NUT	ECROU	MUTTER	
59	12521350/0	2	ROSETTA	WASHER	RONDELLE	SCHEIBE	
60	12691810/0	2	VITE	SCREW	VIS	SCHRAUBE	
61	22399803/0	2	MANOPOLINA	KNOB	POIGNÉE	GRIFF	
62	12293202/0	2	DADO	NUT	ECROU	MUTTER	
63	81008622/0	1	DOTAZIONE VITERIA	OUTFIT, SCREWS	DOTATION VISSERIE	SATZ, SCHRAUBEN	

TDL 430 TR - TDL 480 TR

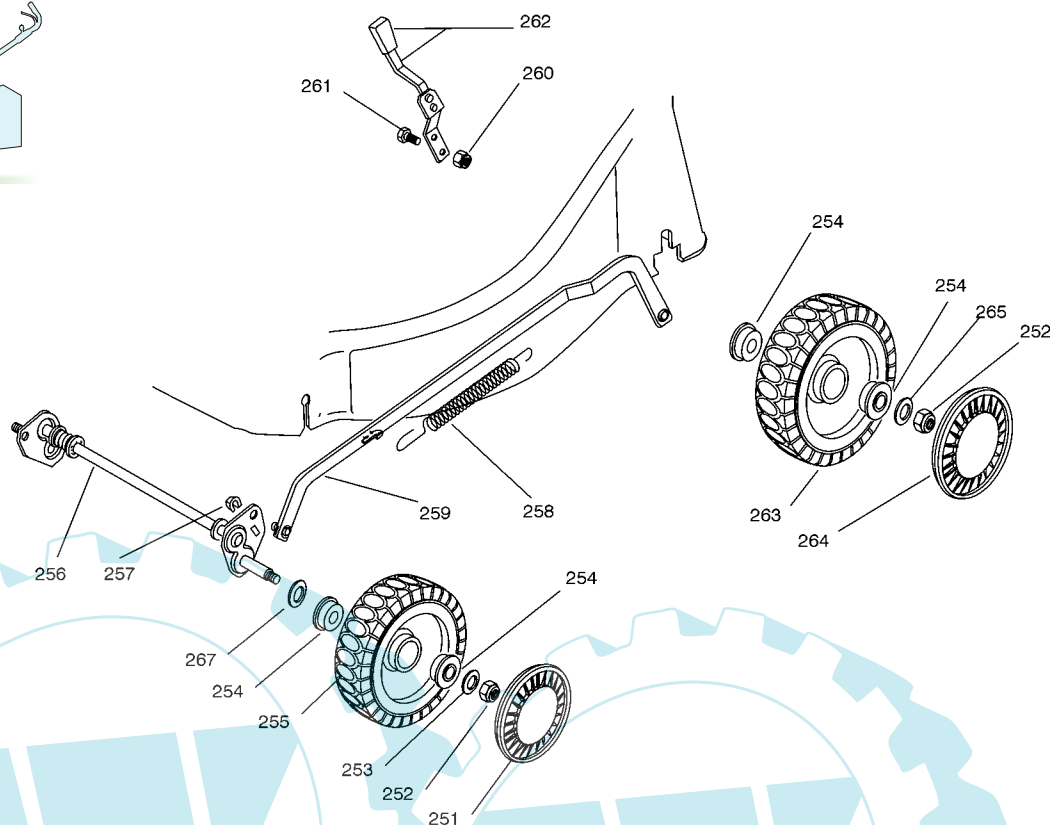
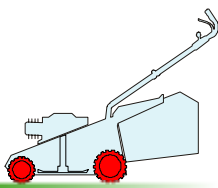


74

GLOBAL GARDEN PRODUCTS

2

02D_013



Pos.	Code	Q.ty	Descrizione	Description	Description	Beschreibung	Remarks
251	22110282/0	2	COPRIMOZZO BIANCO	HUB CAP WHITE	COUVRE-MOYEU BLANC	RADKAPPE WEIßE	
-	22110288/0	2	COPRIMOZZO GIALLO	HUB CAP YELLOW	COUVRE-MOYEU JAUNE	RADKAPPE GELBE	
-	22110290/0	2	COPRIMOZZO ROSSO	HUB CAP RED	COUVRE-MOYEU ROUGE	RADKAPPE ROTE	
252	12155000/0	4	DADO	NUT	ECROU	MUTTER	
253	12521350/0	2	ROSETTA	WASHER	RONDELLE	SCHEIBE	
254	22122200/0	8	CUSCINETTO	BEARING	COUSSINET	LAGER	
255	81007336/0	2	RUOTA SCOLPITA Ø 170	WHEEL, KNOBBLY Ø 170	ROUE SCULPTEE Ø 170	RAD M. STOLLENPR. Ø 170	
256	81001272/1	1	ASSE RUOTE ANTERIORE	AXLE, FRONT WHEELS	AXE ROUES AVANT	ACHSE, VORDERRAD	(TDL 430 TR)
-	81001274/1	1	ASSE RUOTE ANTERIORE	AXLE, FRONT WHEELS	AXE ROUES AVANT	ACHSE, VORDERRAD	(TDL 480 TR)
257	12436050/0	2	PIASTRINA	PLATE	PLAQUETTE	PLÄTTCHEN	
258	22446180/0	1	MOLLA	SPRING	RESSORT	FEDER	
259	81001275/0	1	ASTA COMANDO REGOL. ALTEZZA	ROD, HEIGHT ADJUSTMENT CONTROL	TIGE COMMANDE REGLAGE HAUTEUR	STANGE, HÖHEVERSTELLUNG	(TDL 430 TR)
-	81001276/0	1	ASTA COMANDO REGOL. ALTEZZA	ROD, HEIGHT ADJUSTMENT CONTROL	TIGE COMMANDE REGLAGE HAUTEUR	STANGE, HÖHEVERSTELLUNG	(TDL 480 TR)
260	12154330/0	2	DADO	NUT	ECROU	MUTTER	
261	12789000/0	2	VITE	SCREW	VIS	SCHRAUBE	
262	81003279/2	1	LEVA REGOLAZIONE ALTEZZA	LEVER, HEIGHT ADJUSTMENT	LEVIER REGLAGE HAUTEUR	HEBEL, HÖHEVERSTELLUNG	
263	81007337/0	2	RUOTA SCOLPITA Ø 210	WHEEL, KNOBBLY Ø 210	ROUE SCULPTEE Ø 210	RAD M. STOLLENPR. Ø 210	
264	22110281/0	2	COPRIMOZZO BIANCO	HUB CAP WHITE	COUVRE-MOYEU BLANC	RADKAPPE WEIßE	
-	22110287/0	2	COPRIMOZZO GIALLO	HUB CAP YELLOW	COUVRE-MOYEU JAUNE	RADKAPPE GELBE	
-	22110289/0	2	COPRIMOZZO ROSSO	HUB CAP RED	COUVRE-MOYEU ROUGE	RADKAPPE ROTE	
265	12369500/0	2	DISCO ELASTICO	ELASTIC WASHER	DISQUE ELASTIQUE	FEDERSCHEIBE	
267	12530150/0	2	ROSETTA ELASTICA	SPRING WASHER	RONDELLE ELASTIQUE	ELASTISCHE SCHEIBE	

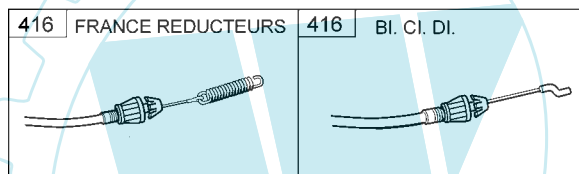
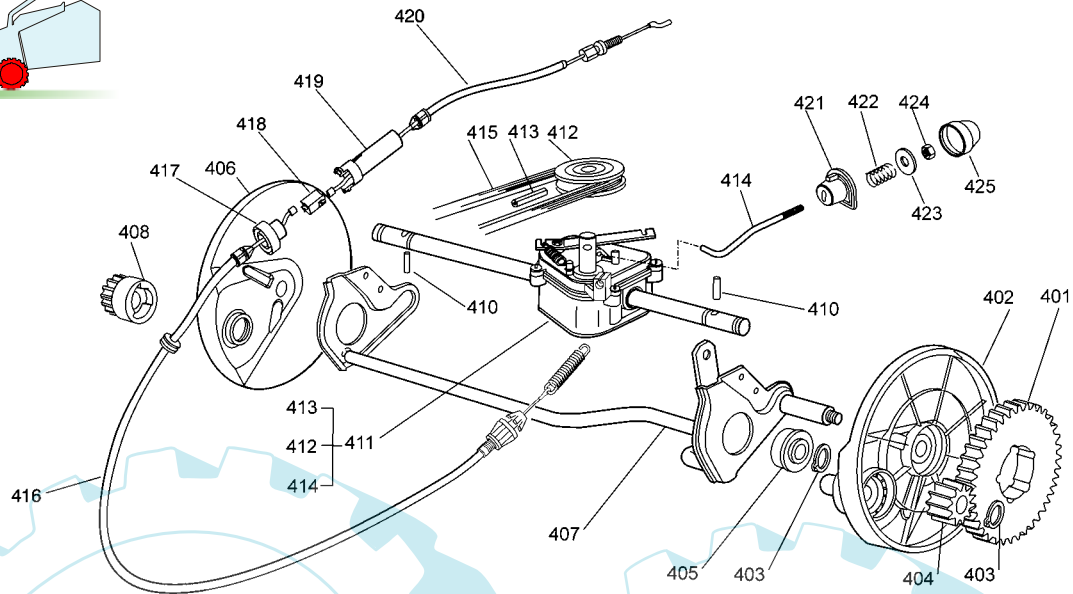
TDL 430 TR - TDL 480 TR



GLOBAL GARDEN PRODUCTS

3

03D_002



Pos.	Code	Q.ty	Descrizione	Description	Description	Beschreibung	Remarks
401	22120105/1	2	CORONA	RING GEAR	COURONNE	KRANZ	
402	22600093/0	1	PROT. RUOTE SX	PROTECTION, L WHEEL	PROTECTION ROUE G	SCHÜTZ, LINKES RÄDER	
403	12608600/0	4	SEEGER	SEEGER	SEEGER	SEEGER	
404	22570120/1	1	PIGNONE SX	PINION L	PIGNON G	RITZEL LINKES	
405	19216035/0	2	CUSCINETTO	BEARING	COUSSINET	LAGER	
406	22600092/0	1	PROT. RUOTE DX	PROTECTION, R WHEEL	PROTECTION ROUE D	SCHÜTZ, RECHTES RÄDER	
407	81000147/0	1	ASSE RUOTE POSTERIORE	AXLE, REAR WHEELS	AXE ROUES ARRIERE	ACHSE, HINTERRAD	
408	22570110/1	1	PIGNONE DX	PINION R	PIGNON D	RITZEL RECHTES	
410	22753000/0	2	SPINA	PIN	GOUPILLE	STIFT	
411	81003076/0	1	GRUPPO TRAZIONE	GEAR BOX	GROUPE TRACTION	ANTRIEB	
-	81003081/1	1	GRUPPO TRAZIONE (GRIGIO)	GEAR BOX (GREY)	GROUPE TRACTION (GRIS)	ANTRIEB (GRAU)	(BI. CI. DI.)
412	22601904/0	1	PULEGGIA	PULLEY	POULIE	RIEMENSCHIBE	
413	12645705/0	1	SPINA	PIN	GOUPILLE	STIFT	
414	22033280/0	1	ASTA REGOLAZIONE	ADJUSTMENT ROD	TIGE REGLAGE	VERSTELLUNGSTANGE	(BI. CI. DI.)
-	22033283/0	1	ASTA REGOLAZIONE	ADJUSTMENT ROD	TIGE REGLAGE	VERSTELLUNGSTANGE	(FRANCE REDUCTEURS)
415	35063710/0	1	CINGHIA Z 25	BELT Z 25	COURROIE Z 25	RIEMEN Z 25	(TDL 430 TR)
-	35063800/0	1	CINGHIA Z 27	BELT Z 27	COURROIE Z 27	RIEMEN Z 27	(TDL 480 TR)
416	81000671/0	1	CAVO COMANDO TRAZIONE INF	CABLE, REAR DRIVE LOWER	CÂBLE, COMMANDE TRACTION INFIEREURE	KABEL, ANTRIEB UNTER	
-	81000676/0	1	CAVO COMANDO TRAZIONE INF	CABLE, REAR DRIVE LOWER	CÂBLE, COMMANDE TRACTION INFIEREURE	KABEL, ANTRIEB UNTER	
417	22246031/0	1	GIUNZIONE INF	LOWER JOINT	CONNECTION INF	VERBINDUNG OBEN	
418	22042040/0	1	BUSSOLA ISOLAMENTO	ISOLATION COMPASS	BOUSSOLE DE ISOLEMENT	ABSONDERUNG KOMPAS	
419	22246030/0	1	GIUNZIONE SUP	UPPER JOINT	CONNECTION SUP	VERBINDUNG UNTER	
420	81001150/0	1	CAVO COMANDO TRAZIONE SUP	CABLE, REAR DRIVE UPPER	CÂBLE, COMMANDE TRACTION SUPERIEURE	KABEL, ANTRIEB OBER	
421	22041957/1	1	BUSSOLA	BUSH	DOUILLE	BUCHSE	
422	22450063/0	1	MOLLA	SPRING	RESSORT	FEDER	
423	22680009/0	1	ROSETTA	WASHER	RONDELLE	SCHEIBE	

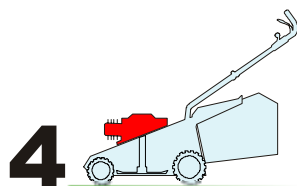
TDL 430 TR - TDL 480 TR



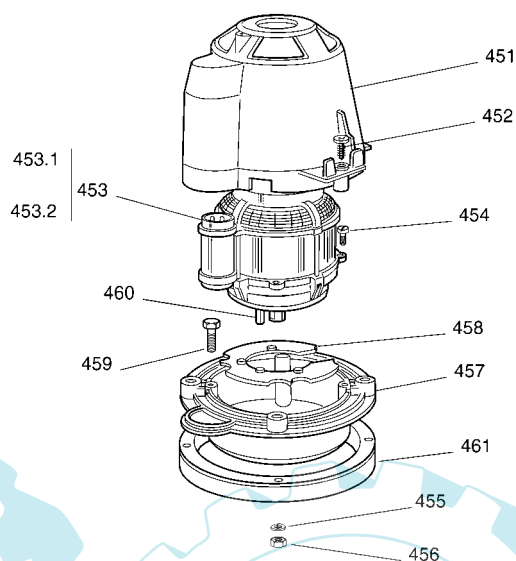
74

GLOBAL GARDEN PRODUCTS

Pos.	Code	Q.ty	Descrizione	Description	Description	Beschreibung	Remarks
424	12154510/0	1	DADO	NUT	ECROU	MUTTER	
425	22110230/0	1	TAPPO	CAP	BOUCHON	GUMMISTOPFEN	



04D_002



Pos.	Code	Q.ty	Descrizione	Description	Description	Beschreibung	Remarks
451	22785210/0	1	SUPPORTO CAPOTTINA	SUPPORT, COVER	SUPPORT CAPOT	HALTER, HAUBE	
452	12728710/0	4	VITE	SCREW	VIS	SCHRAUBE	
453	18563641/0	1	MOTORE ATB	MOTOR ATB	MOTEUR ATB	MOTOR ATB	230V (1800W)
453.1	18740054/0	1	VENTOLA PER MOTORE ATB	FAN MOTOR ATB	VENTILATEUR MOTEUR ATB	LÜFTER MOTOR ATB	
453.2	18222039/0	1	CONDENSATORE 25 µF	CONDENSER 25 µF	CONDENSEUR 25 µF	KONDENSATOR 25 µF	(ATB)
454	12735410/0	4	VITE	SCREW	VIS	SCHRAUBE	
455	12583500/0	4	GROWER	GROWER	GROWER	FEDERRING	
456	12293200/0	4	DADO	NUT	ECROU	MUTTER	
457	22207211/3	1	FLANGIA	FLANGE	BRIDE	FLANSCH	
458	22720360/1	1	SCHERMO VENTILAZIONE	VENTILATION SCREEN	ECRAN VENTILATION	LÜFTUNGSSCHIRM	
459	12691800/0	4	VITE	SCREW	VIS	SCHRAUBE	
460	12139440/0	1	LINGUETTA	FEATHER	CLAVETTE	KEIL	
461	22170960/1	1	DISTANZIALE	SPACER	ENTRETOISE	DISTANZRING	

TDL 430 TR - TDL 480 TR

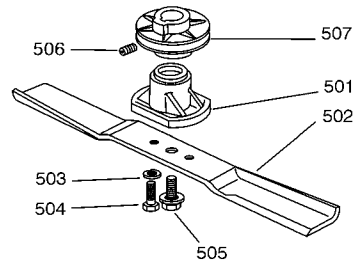
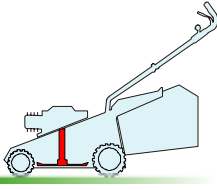


74

GLOBAL GARDEN PRODUCTS

5

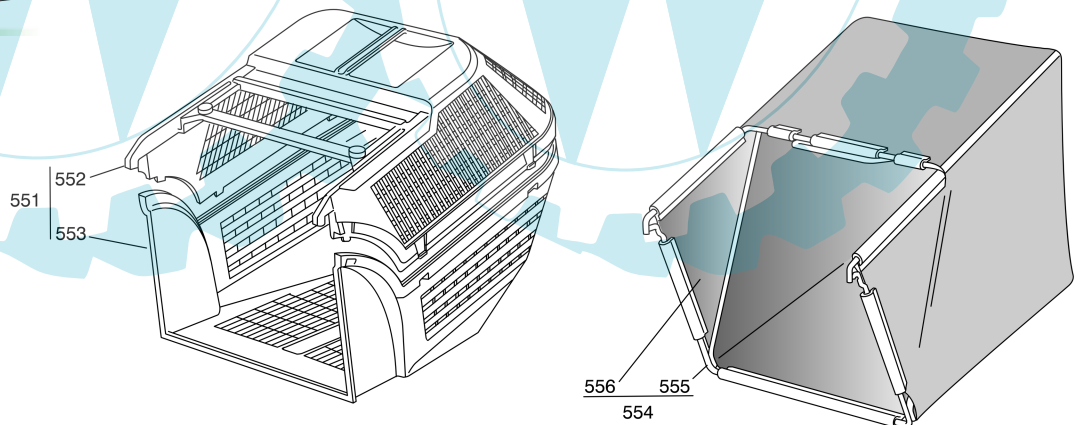
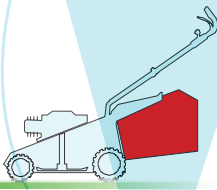
05D_004



Pos.	Code	Q.ty	Descrizione	Description	Description	Beschreibung	Remarks
501	22463186/2	1	MOZZO	HUB	MOYEU	HALTER	
502	81004396/0	1	COLTELLO ALETTATO	BLADE WINGED	LAME AILETTÉE	MESSER FLÜGEL	(41 cm)
-	81004341/3	1	COLTELLO STANDARD	BLADE STANDARD	LAME STANDARD	MESSER STANDARD	(41 cm)
-	81004397/0	1	COLTELLO ALETTATO	BLADE WINGED	LAME AILETTÉE	MESSER FLÜGEL	(46 cm)
-	81004346/3	1	COLTELLO STANDARD	BLADE STANDARD	LAME STANDARD	MESSER STANDARD	(46 cm)
503	12583500/0	2	GROWER	GROWER	GROWER	FEDERRING	
504	12793101/0	2	VITE	SCREW	VIS	SCHRAUBE	
505	81004352/0	1	VITE	SCREW	VIS	SCHRAUBE	
506	12713801/0	1	GRANO	DOWEL	GRAIN	STIFT	
507	22601911/0	1	PULEGGIA	PULLEY	POULIE	RIEMENSCHLEIBE	

6

06D_002



Pos.	Code	Q.ty	Descrizione	Description	Description	Beschreibung	Remarks
551	94004000/0	1	SACCO COMPLETO	GRASS-BOX, COMPLETE	BAC COMPLET	KORB, KOMPLETTE	
552	22486073/1	1	SACCO, PARTE SUP	GRASS-BOX, UPPER PART	SAC, PARTIE SUPERIEURE	KORB, OBERTEIL	
553	22486074/0	1	SACCO PARTE INF	GRASS-BOX, LOWER PART	SAC, PARTIE INFERIEURE	KORB, UNTERTEIL	
554	94005000/0	1	SACCO IN TELA, COMPLETO	GRASSCATCHER, CANVASS COMPLETE	SAC EN TOILE, COMPLETE	SACK, KOMPLETTE	
555	81006418/0	1	TELAIO SACCO	CHASSIS BOX	CHÂSSIS BAC	RAHMEN SACK	
556	81002105/2	1	SACCO, TELA	BOX, FABRIC	SAC, TOILE	SACK, TUCK	

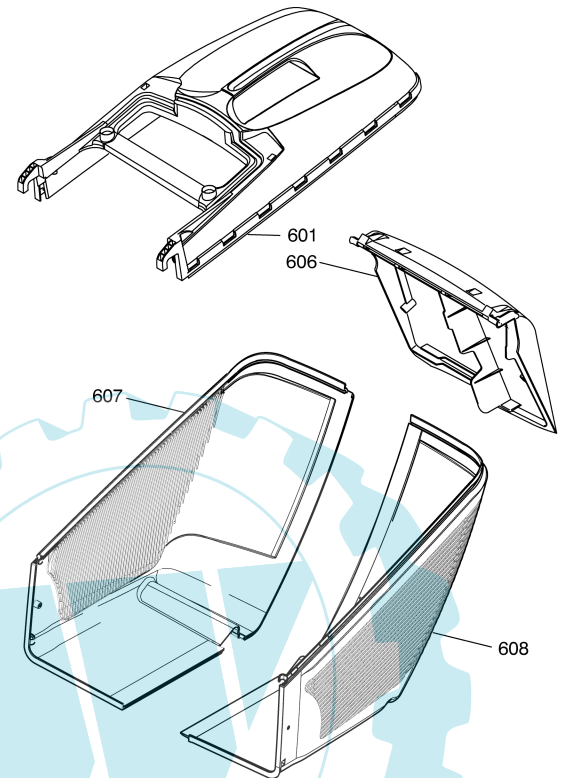
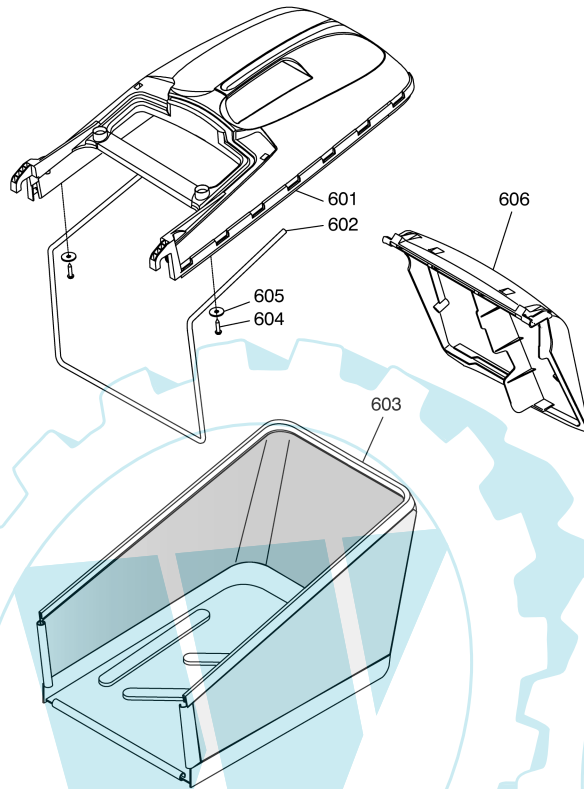
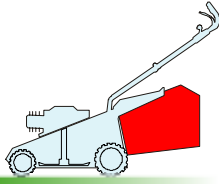
TDL 430 TR - TDL 480 TR



GLOBAL GARDEN PRODUCTS

6

06D_008



Pos.	Code	Q.ty	Descrizione	Description	Description	Beschreibung	Remarks
601	22486101/0	1	SACCO, PARTE SUP	GRASS-BOX, UPPER PART	SAC, PARTIE SUPERIEURE	KORB, OBERTEIL	
602	22608525/0	1	RINFORZO INF	STIFFENING LOWER	RÉNFORCEMENT INF	VERSTÄRKUNG UNTERE	
603	81002211/0	1	SACCO, TELA	BOX, FABRIC	SAC, TOILE	SACK, TUCK	
604	12728680/0	2	VITE	SCREW	VIS	SCHRAUBE	
605	12523050/0	2	ROSETTA	WASHER	RONDELLE	SCHEIBE	
606	22600063/1	1	PARASASSI	STONE-GUARD	PARE-PIERRES	PRALLBLECH	
607	22486150/0	1	SACCO PARTE INF	GRASS-BOX, LOWER PART	SAC, PARTIE INFERIEURE	KORB, UNTERTEIL	(DX)
608	22486151/0	1	SACCO PARTE INF	GRASS-BOX, LOWER PART	SAC, PARTIE INFERIEURE	KORB, UNTERTEIL	(SX)